

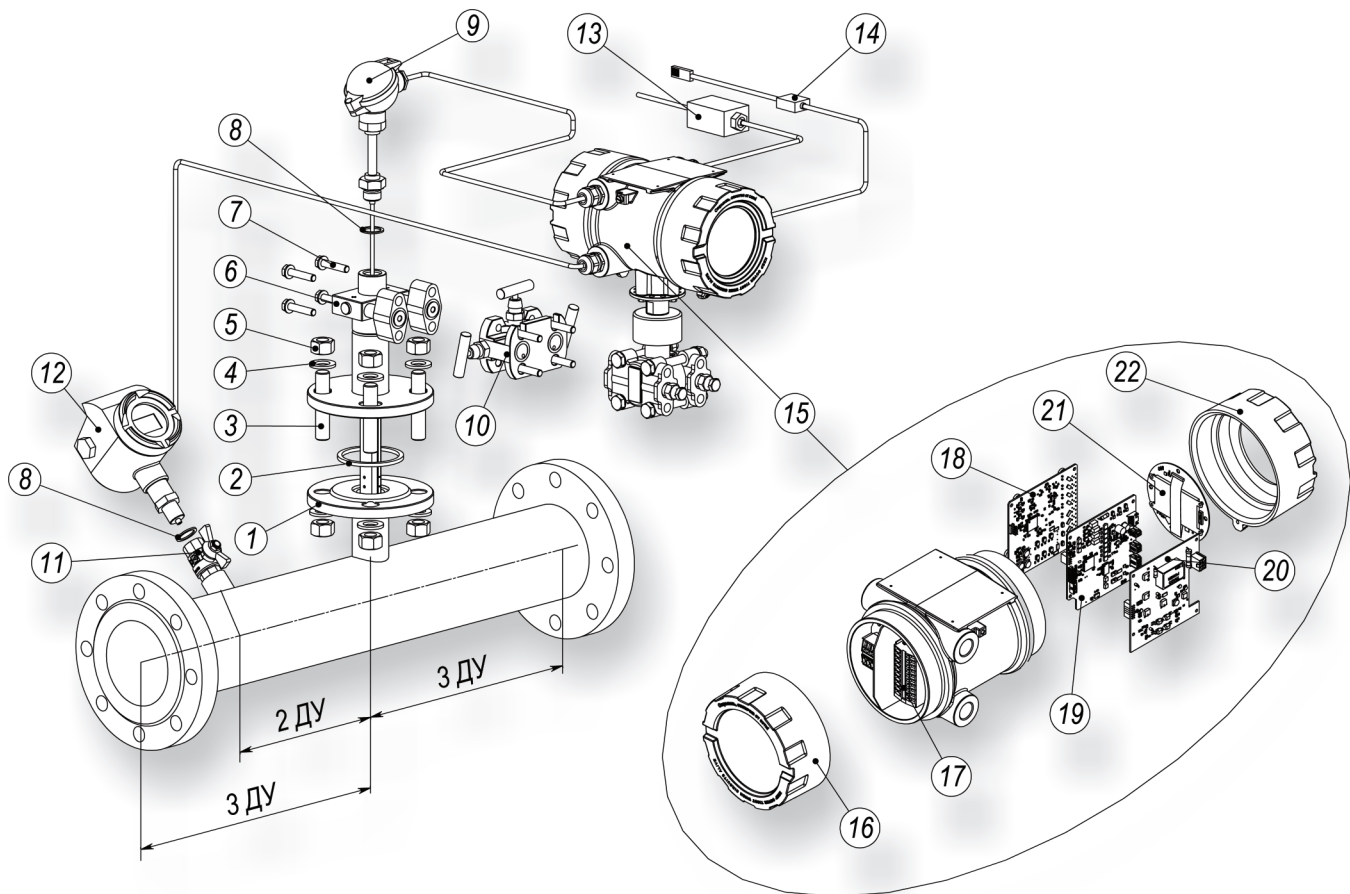
KTM DELTAPASCAL[®]

AVERAGING PITOT TUBE FOR PROCESS GAS,
STEAM AND LIQUID MEASUREMENT



APPLICATIONS

- Waste and flue gas measurement
- Natural gas measurement
- Superheated steam, high, medium and low pressure steam measurement
- Measurement of gaseous media including air, biogas, flue and sewer gases
- Heat carrier measurement



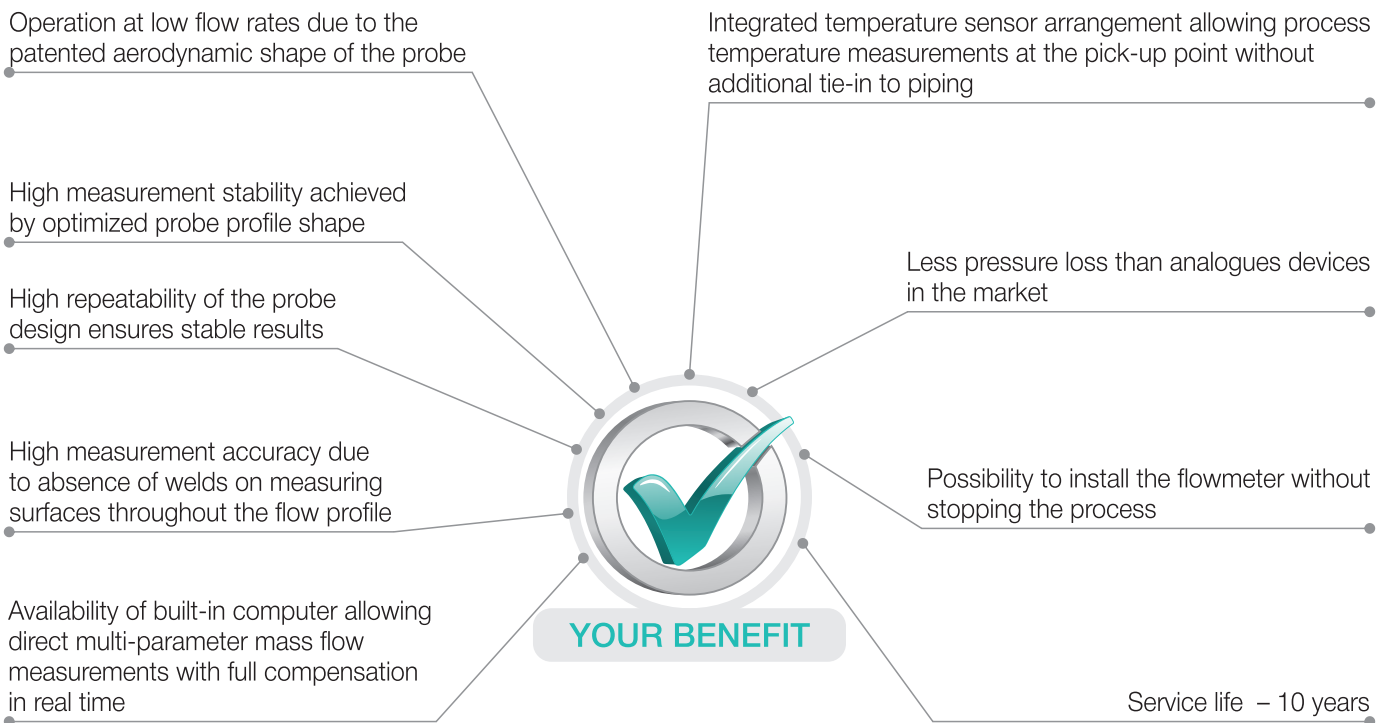
1. flange
2. sealing gasket
3. stud
4. washer
5. nut
6. sensor
7. bolt
8. sealing gasket
9. temperature sensor
10. valve unit
11. ball valve
12. absolute pressure sensor

13. power supply unit
14. interface converter
15. information processing unit
16. rear cover
17. connection terminal
18. measurer board
19. computer board
20. Power Board
21. display board
22. faceplate



AVERAGING PITOT TUBE FOR PROCESS GAS, STEAM AND LIQUID MEASUREMENT

- ✓ Our products are completely developed and manufactured in Russian Federation
- ✓ We have complete set of design and experimental data of our products that verify product quality
- ✓ We have own testing facilities that guarantee product precision and durability
- ✓ We have service centers across the world that can provide complete set of customer support
- ✓ We have robust production line that ensures shortest on-time product delivery to our customers





AVERAGING PITOT TUBE FOR PROCESS GAS, STEAM AND LIQUID MEASUREMENT

TECHNICAL DETAILS

Measurement body material	AISI 316L / 03X17H14M3
Nominal pipe diameter, DN, mm	100...2950
Volumetric flow rate range: - for liquid, m ³ /h - for gas, m ³ /h - for steam m ³ /h	2,5...358000 5,5...4800000 2,5...6900000
Volume and mass flow rate measurement error limit, %	±0,5, ±0,7, ±1, ±1,5
Operating pressure, MPa	25
Operating temperature, °C	-196...+710
I/O ports	4...20 mA, frequency, digital HART, Modbus RS-485, Ethernet, Foundation Fieldbus
Supply voltage DC, V	10,5...45
Ambient temperature, °C	-40...+60 (standard) -70...+60 (on request)
Relative air humidity, not more than, %	95
Enclosure rate	IP66
Verification interval	4 years
Service life	18 years